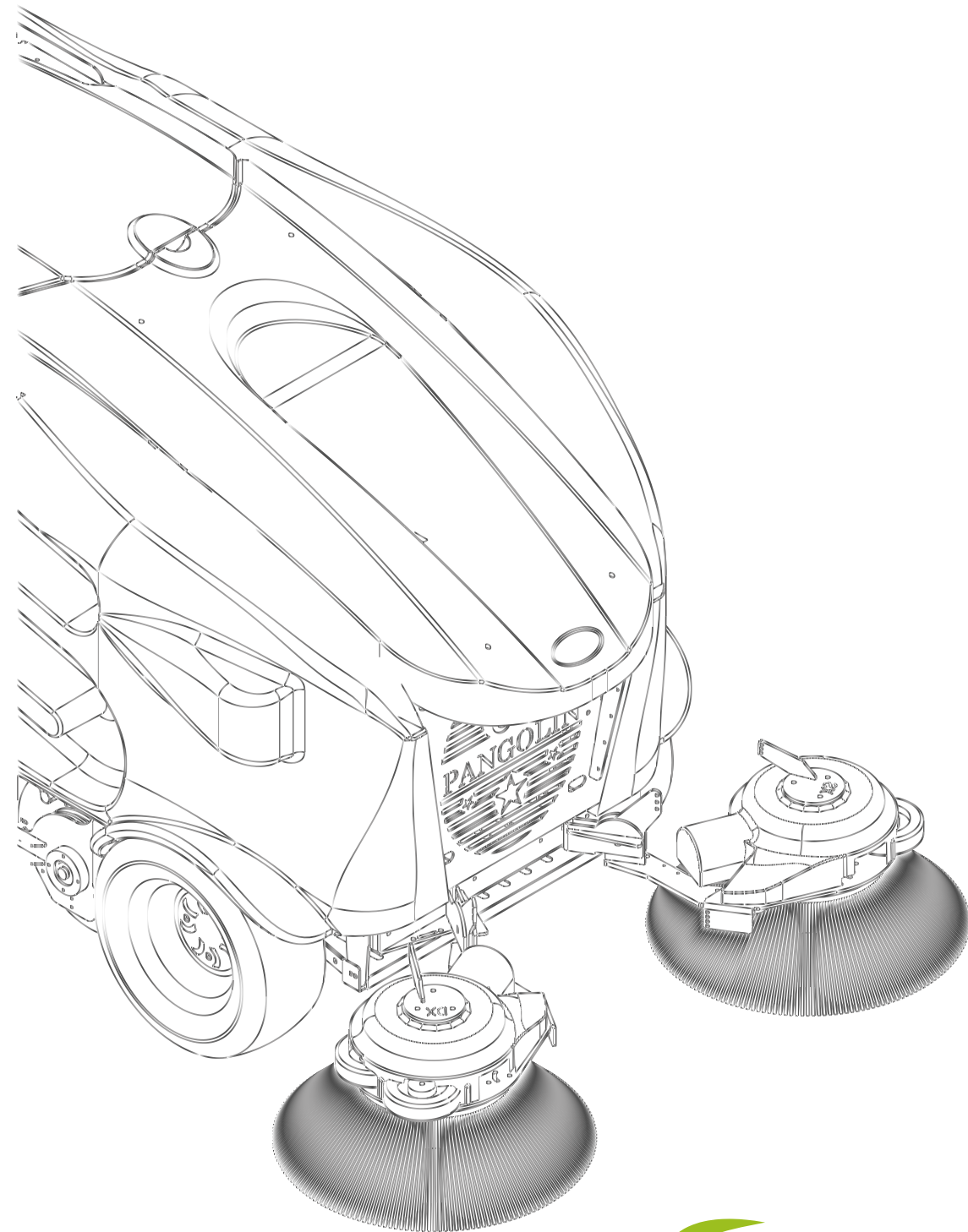


RENK GRUP

SWEEP THE WORLD



RENK GRUP

SWEEP THE WORLD





We Are Here For You!

Founded in 2006 in pursuit of responsible entrepreneurship, innovation, and pioneering discoveries, RENK GROUP, a company committed to continuous improvement, provides cost-effective services for people's needs and improves the quality of their lives. Starting its operations as a supplier for municipalities and public organizations, it soon grew into a corporate group by expanding its services to the import and export of cleaning machinery.

In recent years, RENK GROUP has carried out a range of eco-friendly projects with waste oil, plastic bottles, and book/toy collection units developing concepts/ ideas and converting them into concrete initiatives, from street furniture to social responsibility projects. With its streak of rapid growth turning into sure-footed stability over time, RENK GROUP has become one of the most respected and reliable companies for electrically-powered street/floor cleaning machines.

With its ever-growing capital, it contributes to mechanization, which in turn contributes to the country's economy.

Having signed for EU and domestic markets a distribution agreement with MINGNUO Holding, a formidable brand of the machinery industry in the Chinese market, the center of international trade, RENK GROUP is well on its way to becoming a global company. RENK GROUP pursues a growth strategy that puts a skilled workforce at the center for a more robust corporate governance exploiting the opportunities offered by modern management approaches to contribute to the country's economy.

RENK GROUP continues to work towards its goals with its internationally proven pool of machinery, successful project management produced by the teamwork of its highly competent staff, reliable and high-quality machinery, on-time and cost-effective delivery mechanisms, and its use of high-tech tools from quoting to the supply of spare parts.



We listen to you first, all ears, and once we identify your requirements, we offer you the most suitable solution for keeping your streets/floors clean at an affordable price. We are aware that your time is precious. We always start work right on time and keep the necessary work equipment at our disposal to avoid potential loss of time. We are always customer-friendly, regardless of whether we are dealing with a small or large customer order. We take ownership of our work, answer your after-sales questions, never leave you in the lurch in case of emergencies, all part of our commitment to making our customers happy. We know that business is not just about profits; real success lies in creating a trail of happy customers who can recommend us to others.

CONTENTS

PANGOLIN 300
•BT-24V/ ELECTRICALLY 03

PANGOLIN 300
•ST/ GASOLINE 07

MAMUT PRO
•BT-24V/ ELECTRICALLY 11

MAMUT PRO
•BT-48V/ ELECTRICALLY 15

MAMUT PRO
•ST/ GASOLINE 17

ELECTRO GIRGIR
•12V/ ELECTRICALLY 21

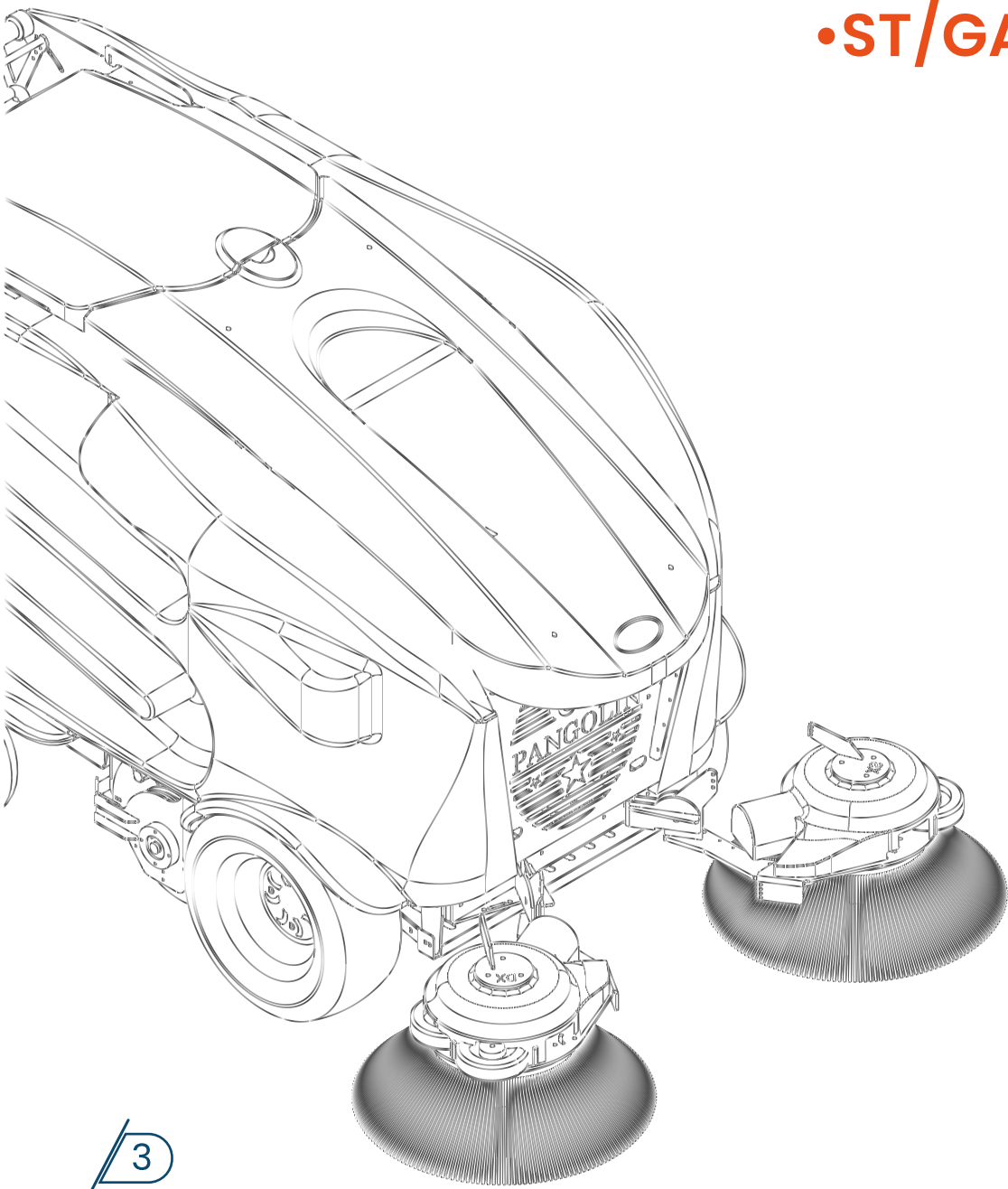
SWEPER TAXI
•48V/ ELECTRICALLY 27



**WE OFFER
YOU
A CLEAN WORLD!**

PANGOLIN 300

- BT-24V/ ELECTRICALLY
- ST/GASOLINE



Pangolin 300 BT

Electrically Powered Mini Vacuum Square Sweeper
Renk Group Pangolin 300 BT Pangolin BT

Pangolin 300 BT Mini vacuum sidewalk sweeper can sweep over long distances thanks to its mobile driver's seat. With its easily removable seat, it easily finds its way in and around benches and brushes paper, coke cans, pet bottles, sunflower seeds, and cigarette butts with its ELECTRICALLY-POWERED OLEODYNAMIC drive and hoards them inside its trash tank.

Pangolin 300 BT collects dust and general waste in its tank with its brush system. Super quiet to operate, it is the perfect tool for cleaning public and private spaces, including squares and sidewalks. Thanks to its steerable hose, Pangolin 300 BT allows waste collection in narrow and small areas where normal vehicles cannot operate. The operator seat allows the operator to go to the target area in a sitting posture while the machine continues to perform its cleaning duties.

Pangolin 300 BT's bodywork is made from automotive materials allowing long years of service.

Its bodywork is made from ABS plastic, meaning Pangolin BT 300 offers protection from UV rays, features a glossy surface requiring no extra paint-job, and has a protective gelatin-coating used during production.

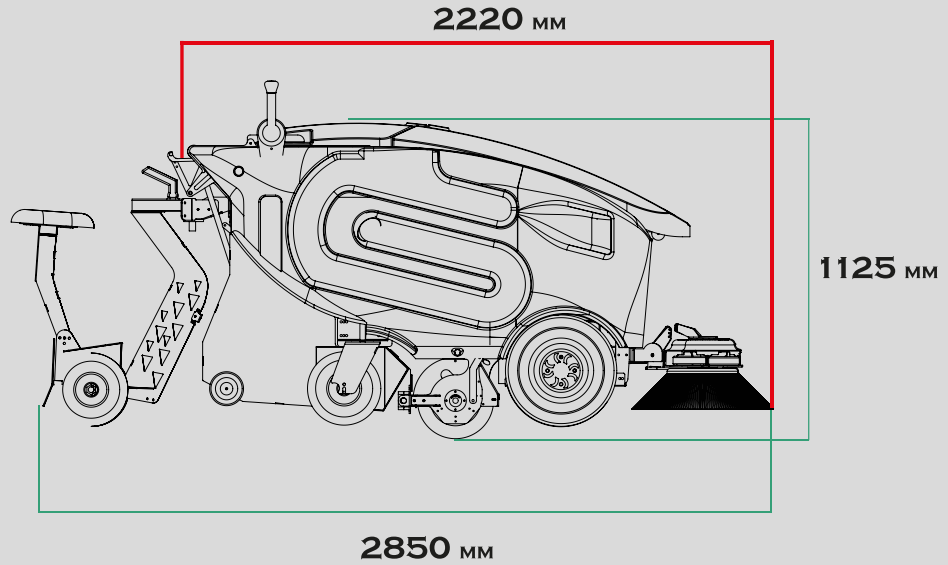
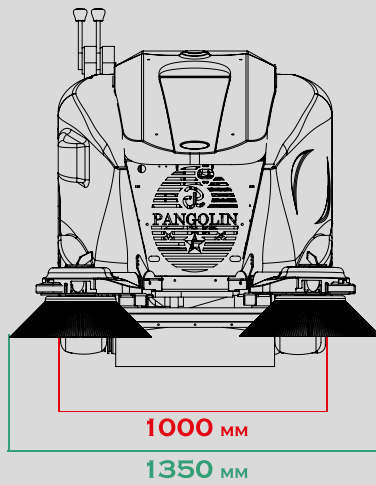
It can gradually augment its fan power with its reinforced suction technology while its powerful suction gives the roller brush an extra punch allowing users to make a clean sweep in just a moment.

It enables considerable savings of cleaning materials and fuel thanks to its fast-response suction performance.

**% 100 Electrically Powered
Quiet Operation
Efficient Cleaning**



**Operable for up to 6-8 Hours
With its High-Amperage
Battery**



PANGOLIN 300 BT 24V ELECTRICALLY

Technical Features

Power Source	24 Volt Battery
Engine	1200/1000 W
Front side brush engine power	80 W (each)
Battery Capacity	330 Ah (C20) Acid
Running Time with Full Battery	>6 - 8 Hours
Filter Code / Material	4 m2 Polyester
Suction power	2375 m3 / hours
Front Brush Type	Plastic
Center Brush Type	Plastic
Trash Tank Capacity	220 Liters
Water Tank Capacity	30 Liters
Suction Hose Length	3000 mm
Suction Hose Diameter	108 mm Ø
Weight (With Battery)	580 Kg
Weight (Without Battery)	394 Kg
Seating Bench Weight	34 Kg
Machine Dimensions (W x L x H)	1000 x 2220 x 1125 mm
Exterior Design	ABS Plastic
Mobile (Driver) Seat	Yes

ELECTRICALLY POWERED OR



- Pangolin 300 BT sweeper has a garbage capacity of 220 liters. Its 30 lt water capacity enables the sweeping of surfaces without creating dust.

- The battery-powered sweeper provides 6-8 hours of operation thanks to its high-amperage battery. Thanks to its external hose, the mini sidewalk vacuum sweeper sucks garbage that cannot be picked by brushes.

- The mini battery-powered sweeper offers efficient work with its 100% electric version and silent operation.

- Pangolin 300 BT Mini Sweeper has a sweeping capacity of 7500 m² per hour thanks to its sweeping width of 135 cm.

- With its double-wheeled seat and stand-up saddle, it can quickly sweep long distances.

Pangolin 300 ST

Petrol-Powered Mini Vacuum Square Sweeper Renk Group Pangolin 300 ST Pangolin ST

With its wide grip on the front wheels, it offers comfortable operation in rough terrain. The rear wheels are made of special rubber material providing durability against explosions and abrasion.

- Thanks to its external hose, the Mini Sidewalk Vacuum Sweeper sucks garbage that cannot be picked by brushes
- It is a 100% Turkish mini vacuum sweeper.
- Thanks to its petrol-powered engine Vanguard (Made in USA), it ensures low fuel consumption. With its 6.5 hp (4.80 kW) engine, it is a highly efficient sweeper.
- Pangolin 300 ST Mini Sweeper has a sweeping capacity of 7500 m² per hour thanks to its sweeping width of 135 cm.

PANGOLIN 300 ST PETROL

Technical Features	
Power Source	Petrol
Engine	Vanguard (Made in USA)
Engine Power (Suction and Driving)	6.5 HP/4.80 KW
Cylinder Displacement cm ³	203 cm ³
Front side brush engine power	80 W (each)
Petrol Tank Capacity	3 Liters
Running Time with Full Battery	∞
Filter Type / Material	4 m ² Polyester
Suction power	2630 m ³ / hours
Front Brush Type	Plastic
Center Brush Type	Plastic
Trash Tank Capacity	220 Liters
Water Tank Capacity	30 Liters
Suction Hose Length	3000 mm
Suction Hose Diameter	108 mm Ø
Weight (With Battery)	394 Kg
Weight (With Battery)	394 Kg
Machine Dimensions (W x L x H)	1000 x 2220 x 1125 mm
Exterior Design	ABS Plastic
Mobile (Driver) Seat	Yes



Extra Engine High Performance

Pangolin 300 ST Petrol

With its 6.5 HP Vanguard engine (Made in USA), Pangolin 300 ST offers a smooth and pleasant ride, leaving its competitors behind with its superior performance. Its mobile operator seat was designed to offer maximum comfort for the driver. It provides ease of use thanks to its ability to cover long distances and its nimbleness in narrow spaces. Also, it can sweep across surfaces at one go with a sweeping width adapted to bicycle paths.

- Pangolin 300 ST Sweeper has a 220-liter garbage capacity.
- Pangolin 300 ST Mini Petrol Sweeper has a 2-year mechanical and 3-year engine warranty.
- Pangolin 300 ST Mini Sidewalk Sweeper enables the sweeping of surfaces without creating dust with its 30-liter water capacity.
- It has a water-resistant 4 square meters polyester cassette filter.
- Thanks to its external hose, the mini sidewalk vacuum sweeper sucks garbage that cannot be picked by brushes.



ELECTRICALLY POWERED OR





PETROL-POWERED

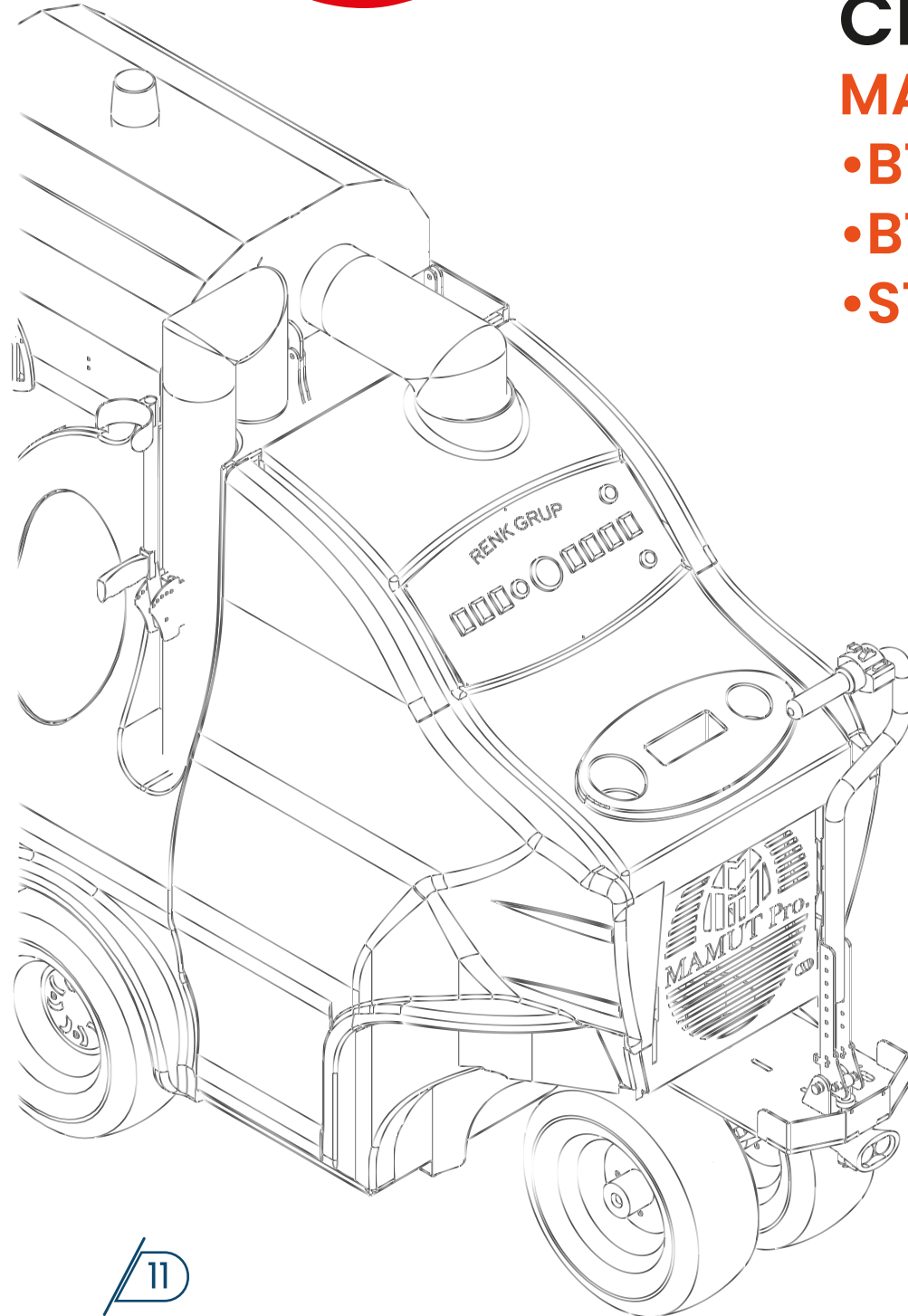




**IT IS THE
GO-TO-ADDRESS
FOR SWEEPING
STREETS
CLEAN!**

MAMUT PRO

- BT-24V/ Electrically
- BT-48V/ Electrically
- ST/ Petrol



High Maneuver, Low Operating Noise.

1-Battery-Powered, Hand-Operated Suction Sweeper Machine MAMUT PRO BT 24V

Hand-operated, 24V Battery-powered Vacuum Sweeper sucks in leaves, paper, glasses, plastic bottles, cola cans, kernels, paper, etc.. In streets, roads, and large squares and hoards them in its trash tank, moving back and forth with the control handle. The battery-powered sidewalk sweeper, operated by municipalities, puts modern cleaning at the center.

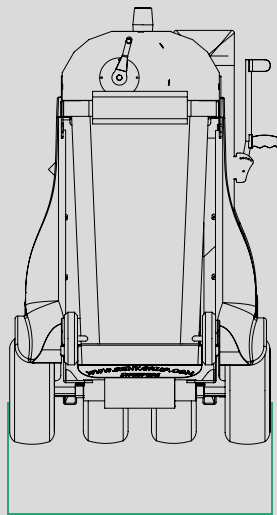
Thanks to its durable filter that is capable of cleaning itself with a specially designed crank that allows cleaning of filters without taking them out of their housing, a trademark feature of the MAMUT PRO, users can transfer garbage into the trash tank without dust polluting the environment.

- 2 years of mechanical warranty and 1-year battery warranty
- 10 Years of Spare-Part Availability Warranty
- Self-cleaning filters thanks to a specially designed crank.
- 1.2 Kw fan engine, specially designed powerful fan system.
- Electric differential powered by a 1.0 Kw Servo engine.
- Magnetic braking system.
- Quick-reaction 3-tuning (Eco-Comfort-Sport) suction system.

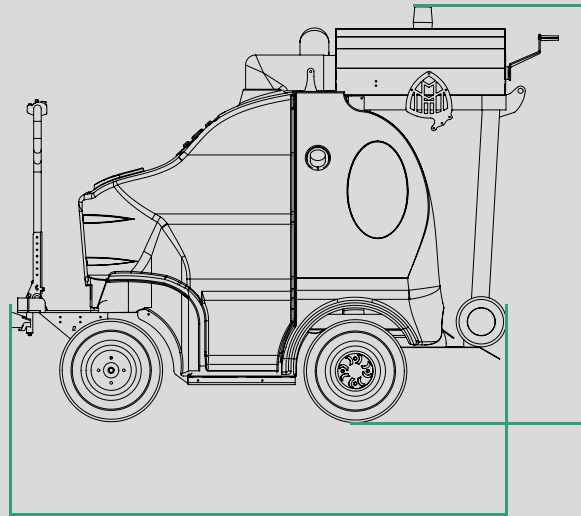
**Environmentally Friendly
Cylinder Filter
Large-Size Frame and
Waterproof Polyester Filter**



**Maximum Performance
when Fully Charged 6-9
Hours Running Time**



1000 MM



1970 MM

1650 MM

MAMUT PRO BT 24V ELECTRICALLY

Technical Features

Power Source	24V Electrically-Powered
Engine Power (Fan and Pace)	1200 / 1000 W
Filter Cleaning	Manual Crank
Battery Capacity	24 Volt (4 x 6 Volt)
Running Time	>6-9 Saat
Filter	Cylinder/Polyester
Filtering Surface	3m ²
Suction Power	4560 m ³ / Saat
Suction Hose	Polycarbonfiber White
Trash Tank Capacity	240 L
Water Tank Capacity	30 L
Suction Hose Length	3000 mm
Suction Hose Diameter	120 mm Ø
Weight (With Battery)	420 Kg
Weight (Without Battery)	310 Kg
Machine Dimensions (W x L x H)	1000 x 1970 x 1650 mm
Exterior Design	ABS Plastic



- Bag mechanism that can be fitted with a medium-sized garbage bag, adapted for a 240-liter waste garbage bin.



- Suction redirector with a shock absorber, specially designed to prevent clogging of the vacuum hose that detects the user's movements.



- Enables users to use the button panels on the
- 3 tuning (**Eco - Comfort - Sport**) suction system.



- Fitted with a patented filter system. Fitted with a proprietary, hand-operated crank, dust accumulating inside the filters gets cleaned and the filters require no disassembly. It is also a budget-friendly option with considerable savings of fuel and cleaning materials.

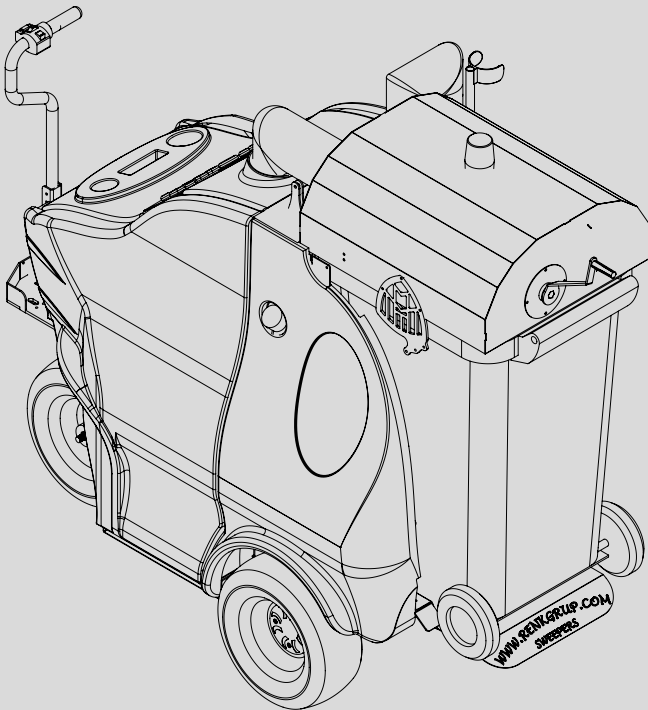
TECHNICAL FEATURES

MAMUT PRO BT 48V ELECTRICALLY

Power Source	48V Electrically-Powered
Engine Power (Fan and Pace)	1200 / 1000 W
Filter Cleaning	Manual Crank
Battery Capacity	48 Volt (4 x 12 Volt)
Running Time	>9-11 Hour
Filter	Cylinder/Polyester
Filtering Surface	3m ²
Suction Power	>4560 m ³ / Saat
Suction Hose	Polycarbonfiber White
Trash Tank Capacity	240 L
Water Tank Capacity	30 L
Suction Hose Length	3000 mm
Suction Hose Diameter	120 mm Ø
Weight (With Battery)	440 Kg
Weight (Without Battery)	310 Kg
Machine Dimensions (W x L x H)	1000 x 1970 x 1650 mm
Exterior Design	ABS Plastic

2-Electrically-Powered, Hand-Operated Leave-Collecting Vehicle MAMUT PRO BT 48V

48 Volt Mamut Pro, a professional hand-controlled leaf and garbage sweeper, features a modern and sleek design that makes it perfect for use in municipal services and housing complexes. Impressing users with its brand-new design and look, this excellent piece of machinery, manufactured by Turkish engineers, measures up to EU standards lapping up great acclaim across the globe with its superior cleaning skills.



Designed for professionals, Mamut Pro features 48-volt engine power, maintenance-free gel battery technology, and a 114 amp battery capacity.

Mamut Pro outshines its competitors with its large capacity and wide diameter on the front wheels, moving safely over surfaces and preventing the sweeper from rolling on its side when descending from sidewalks. High maneuverability on uneven terrain.

The newly-designed Mamut Pro is an optional addition to customers' fleet of cleaning machines. Its high-tech electric vacuum nozzle device, its mechanism that can be easily disassembled and folded, and its vacuum-function operable with a hose were developed to provide a great convenience for users.

TECHNICAL FEATURES

MAMUT PRO ST PETROL

Power Source	Petrol
Engine	Vanguard (Made in USA)
Engine Power	6.5 HP/4.80 KW
Cylinder Displacement cm3	203 cm3
Petrol Tank Capacity	3 LT
Running Time	∞
Filter	Polyester Cylinder
Filter Cleaning	Manual Crank
Filtering Surface	3m2
Suction Power	>4885 m3 / Hour
Suction Hose	Polycarbonfiber White
Trash Tank Capacity	240 L
Water Tank Capacity	30 L
Suction Hose Length	3000 mm
Suction Hose Diameter	120 mm Ø
Weight	350 Kg
Machine Dimensions (W x L x H)	1000 x 1970 x 1650 mm
Exterior Design	ABS Plastic



3-Petrol-Powered, Hand-Operated Suction Sweeper MAMUT PRO ST

Impressing users with its brand-new design and look, this excellent piece of machinery, manufactured by Turkish engineers, measures up to the highest standards with its customer-oriented design, lapping up great acclaim across the globe with its superior cleaning skills. Mamut Pro outshines its competitors with its large capacity and wide diameter on the front wheels, moving safely over surfaces and preventing the sweeper rolling on its side when descending from sidewalks. High maneuverability on uneven terrain. Front wheels, which are the same size as the rear wheels, consist of 16x6.50-8 inch wheels.

Eco-Friendly Mamut Pro Suction Sweeper

- 2 years of mechanical and 3 years of engine warranty
- 10 Years of Spare-Part Availability Warranty
- Self-Cleaning Filter with a Manual Crank
- Eco-friendly cleaning of the filters that need no disassembly
- Can make a full circle, ease of driving with the left/right hand with its handle for remote control
- Environmentally friendly filtering system, large size frame, water-resistant polyester filter
- The most popular sweeper with its silent operation mode
- In-laid mechanism for spraying water into the container against dusting (30 lt)
- Continuously active pulley motor fan, specially designed powerful fan system
- Vanguard (Made in USA) / Honda GX390 Petrol-Powered engine
- Differential system with hydrostatic drive
- 240-liter plastic container garbage tank
- 3 lt stainless fuel tank



ELECTRICALLY POWERED OR ○

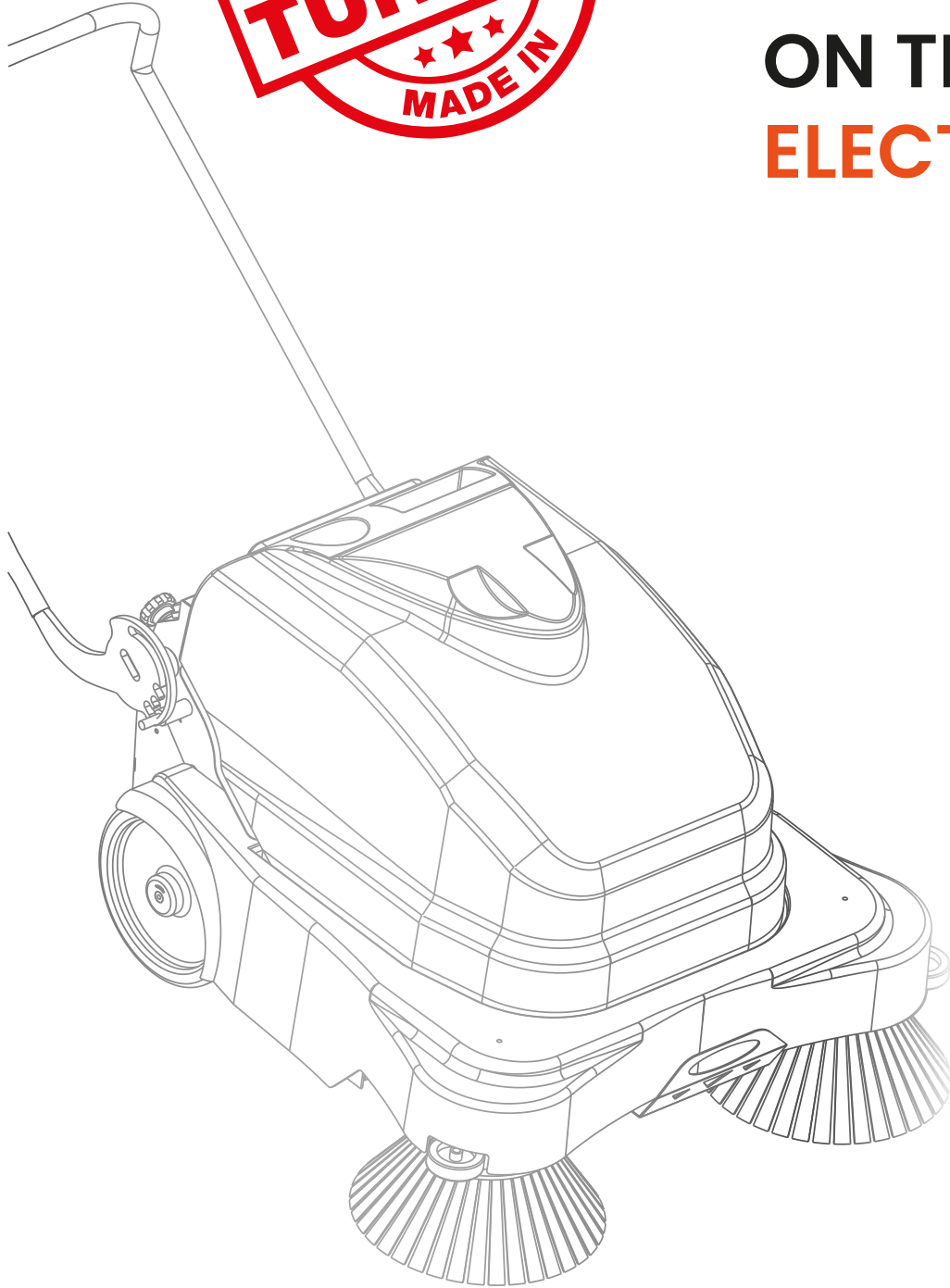


PETROL-POWERED





**MIND-BLOWING
PERFORMANCE
ON THE FIELD!**
ELECTRO GIRGIR RGE



ELECTRO GIRGIR

ELECTRO GIRGIR RGE Sweeper:

A hand-operated, easy-to-use, mini sweeper with a brush. Suitable for use in streets, pavements, open areas, parking garages, shopping malls, hospitals, residential areas, housing complexes, parks, and gardens.

Works quietly, causes no disturbing noises. 2 years of mechanical warranty and 1 year battery warranty. All maintenance, repair, storage, and spare parts services of vehicles are provided by RENK GROUP.

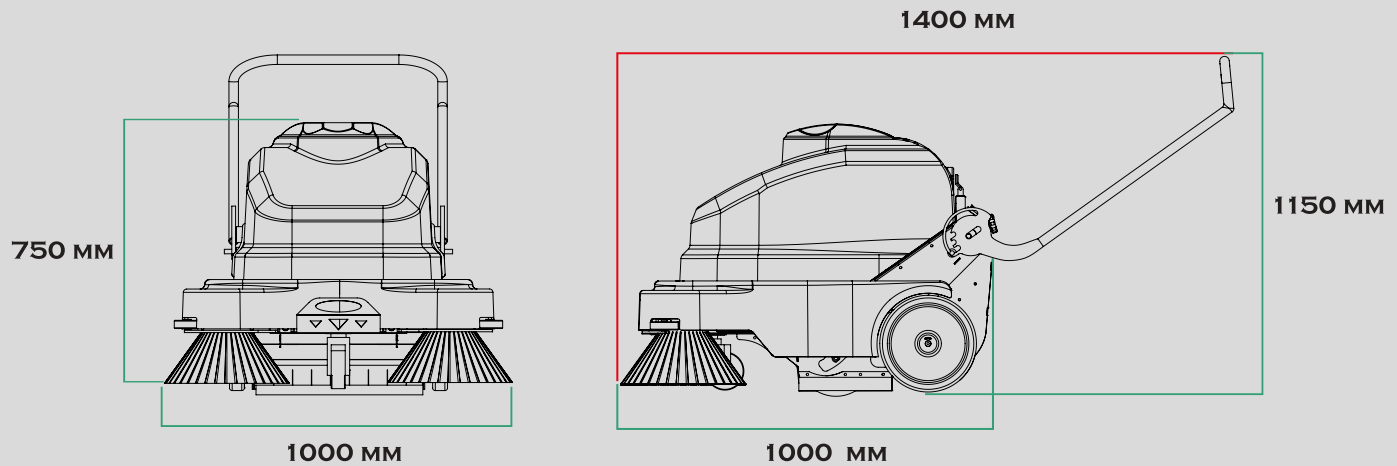
THIS MACHINE WAS PATENTED BY THE
TURKISH PATENT INDUSTRY
ON BEHALF OF
RENK GROUP.
UTILITY MODEL: 2014/05013

Yeni tasarım ürünümüz akülü elle kumandalı "Elektro Girgır Süpürge Aracı" profesyonel ve özel tasarımıyla tamamen yerli, patentli olmakla beraber Renk Grup Makine A.Ş. mühendislerimiz tarafından geliştirilmiştir.

Dış kaportayı ABS plastikten üreterek Uv ışınlarına karşı güçlü bir tasarımla sizlere sunmaktayız. Bu özelliği sayesinde boya gerektirmeyen parlak bir yüzeye sahiptir. Böylelikle kolay temizleme olanağı sağlar. Üretim aşamasında kullandığımız koruyucu jelatin kaplaması ile beraber müşterilerimize teslimat sağlamaktayız.



Comes in two colors.



TECHNICAL FEATURES

ELECTRO SWEEPER ELECTRICALLY

Efficiency	4000 m / h
Sweeping Width	900 mm
Front Round Brush Length	40 cm x 2
Main Cylinder Brush Length	44 cm x 1
Mode of Operation	100% Electrically Powered
Power Source	12 V
Garbage Capacity	22 Litres
Running Time	5-6 Hours Non-Stop
Filter Area	1.5 m ²
Water Capacity	15 Litres
Water Pump	12 V
Main Brush Engine	120 W x 1
Front Round Brush Engine	35 W x 2
Net Weight	90 Kg
Filter Area Cleaning	Filter Dust Transferrable into the Garbage Tank
Exterior Design	ABS Plastic



•Our newly-designed Electro Girgir, Type RGE, is fitted with an auxiliary wheel, giving it a more robust frame to offer protection against abrasions during sweeping of sidewalks and edges of the walls.



•Electro Girgir, Type RGE, designed as a high-performance piece of machinery, can sweep its way through piles of garbage with its movable brush nozzle / flap mechanism.



•Offers users a convenient cleaning experience with its easy-to-use control panel. Fitted with a 15 Lt water tank, it packs a performance punch sweeping all kinds of surfaces.



•Electro Girgir, Type RGE, has a folding arm that makes it easy to carry around. (94 Kg)
•With a sweeping width of 1 meter, it can clean 4,000 m² of floor per hour.





**FITTED WITH A
HIGH-TECH CLEANING
SWEPER TAXI
Led Display**



Sweeper Taxi Renk Grup



Highly popular with customers, the new generation sweeping machine, partially manufactured by Renk Grup Makine A.Ş, is perfect for sweeping pavements, streets, avenues, and squares. Popular with municipalities and factories, it is a much sought-after, high-performance road sweeper featuring the latest technology.

- 100% Electrically powered sweeper
- Fully Charged Energy 8 - 10 Hours of maximum performance
- 48 Volts 150 Amper
- Designed for outdoor use with its windshield and wiper
- Features a 180 It garbage tank
- Fully Charged Energy allows for 8 - 10 Hours of maximum performance
- 48 Volts 150 Amper

TECHNICAL FEATURES

SWEeper TAXI ELECTRICALLY

Battery Capacity	48 Volt Battery
Climbing Slope	%20
Sweeping Capacity (Efficiency)	12000 m2 / Hour
Sweeping Width	1850 mm
Roller Brush Length	800 mm
Front-Side Brush Diameter (4 Pieces)	500 mm
Engine Power	3 Kw (Electrically-Powered Engine)
Trash Tank Capacity	180 Liters
Water Capacity	30 Liters
Operating Power (Main Brush + Fan + Side Brush + Filter)	800 + 500 + 80x4 + 50 W
Sweeping Speed	7 Km / Hour
Max Speed	9,8 Km/ Hour
Running Time	6-8 Hour
Vehicle Weight	800 Kg
Filtering Area	5 mt2
Filter Cleaning	Vibratory Cleaning
Dimensions (L/W/H)	2150 x 1850 x 2040 mm
Sweeping System	Lifting With Brush and Wind Force
Led Screen	Optional
Led Screen Size	40 Inches
Led Display Data Upload	Usb Memory and Ethernet Socket
Rear Led Display	Outdoor Led Display Video Player P5 Outdoor
Led Display Programming	Timed Day and Night Data Programming
Turning Radius	1200 mm
Charger	48 Volt
Exterior Accessories	Illuminated Taxi Sign, Signaling Warning Light, Rear View

- With its new generation, energy-saving Servo 3 KW motor, it offers 8 hours of non-stop performance.
- No filters get clogged during sweeping thanks to its electrically-powered self-cleaning filters.
- 2-speed transmission option, forward and reverse driving, 20% uphill climbing, can be restarted on an uphill slope.
- With its 3-wheel design, it provides 360-degree maneuverability offering ease of use in narrow spaces.
- Impresses with its 70 dB noise level, 100% electrically powered engine, zero-emission, and silent operation.
- Has 30 liters of spray water capacity.
- All maintenance, repair, storage, and spare parts services of the sweeper are provided by RENK GROUP.



Featuring an outdoor LED display video player / P5 outdoor video screen, it offers the opportunity to broadcast all kinds of videos, images, and slogans giving municipalities more visibility with their cleaning services.

The outdoor video screen can be used to display congratulatory messages on public holidays, religious holidays, tax payment reminders, the Mayor's slogans, or the municipality's social media accounts.

- IN OUR CAPACITY AS THE DISTRIBUTOR, WE OFFER 2 YEAR MECHANICAL AND 1 YEAR BATTERY WARRANTY FOR OUR PRODUCTS.

RENK GRUP

SWEEP THE WORLD



RENK GRUP MAKİNE A.Ş.

🏠 Oruçreis mah. Tekstil Kent A7 blok
No:44, 34235 Esenler - İstanbul/TÜRKİYE

✉ info@renkgrup.com.tr

☎ (0212) 564 66 66

🌐 www.renkgrup.com.tr
www.renkgrup.com

