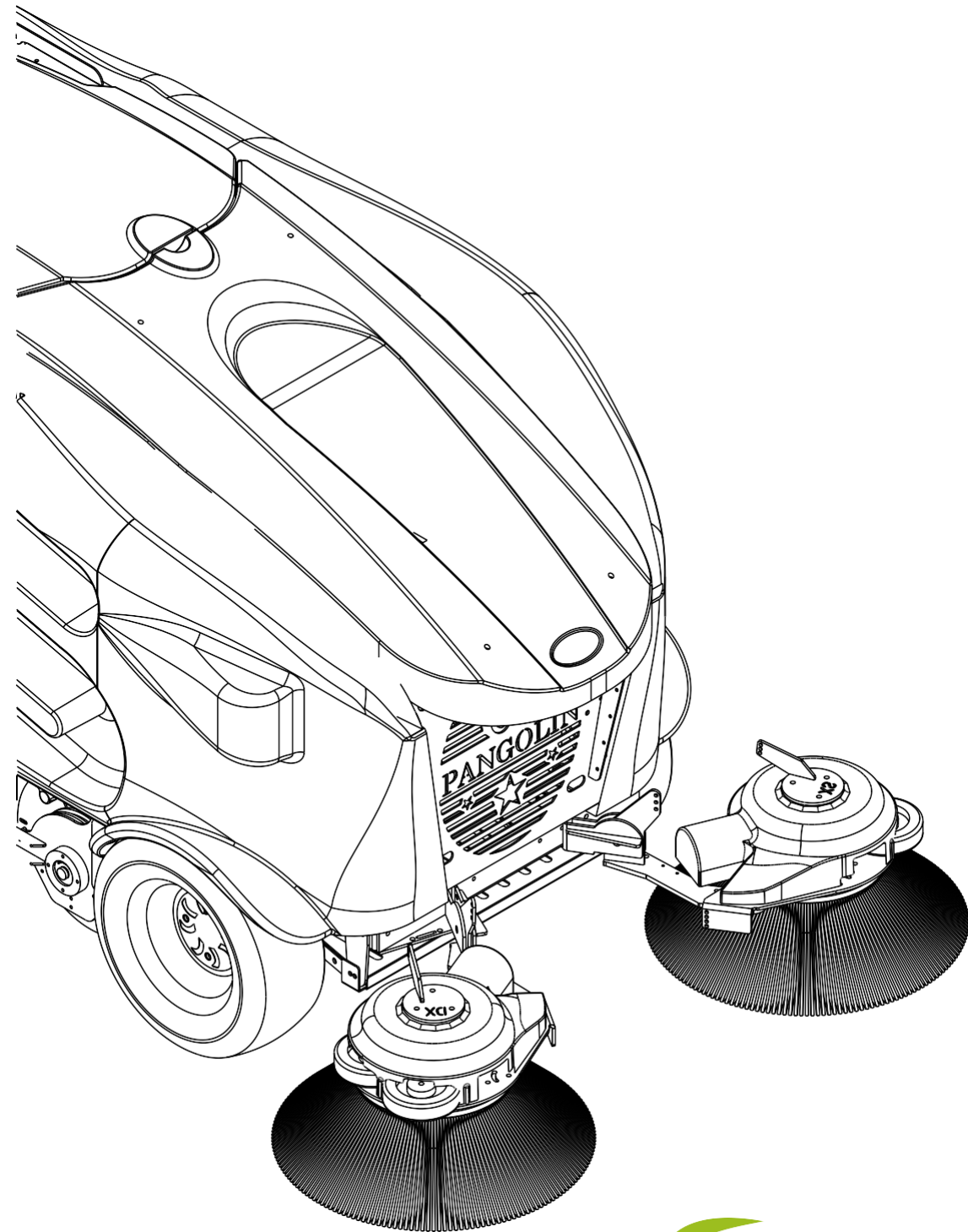


RENK GRUP

SWEEP THE WORLD



RENK GRUP

SWEEP THE WORLD





We Are Here For You!

Founded in 2006 in pursuit of responsible entrepreneurship, innovation, and pioneering discoveries, RENK GROUP, a company committed to continuous improvement, provides cost-effective services for people's needs and improves the quality of their lives. Starting its operations as a supplier for municipalities and public organizations, it soon grew into a corporate group by expanding its services to the import and export of cleaning machinery.

In recent years, RENK GROUP has carried out a range of eco-friendly projects with waste oil, plastic bottles, and book/toy collection units developing concepts/ ideas and converting them into concrete initiatives, from street furniture to social responsibility projects. With its streak of rapid growth turning into sure-footed stability over time, RENK GROUP has become one of the most respected and reliable companies for electrically-powered street/floor cleaning machines.

With its ever-growing capital, it contributes to mechanization, which in turn contributes to the country's economy.

Having signed for EU and domestic markets a distribution agreement with MINGNUO Holding, a formidable brand of the machinery industry in the Chinese market, the center of international trade, RENK GROUP is well on its way to becoming a global company. RENK GROUP pursues a growth strategy that puts a skilled workforce at the center for a more robust corporate governance exploiting the opportunities offered by modern management approaches to contribute to the country's economy.

RENK GROUP continues to work towards its goals with its internationally proven pool of machinery, successful project management produced by the teamwork of its highly competent staff, reliable and high-quality machinery, on-time and cost-effective delivery mechanisms, and its use of high-tech tools from quoting to the supply of spare parts.

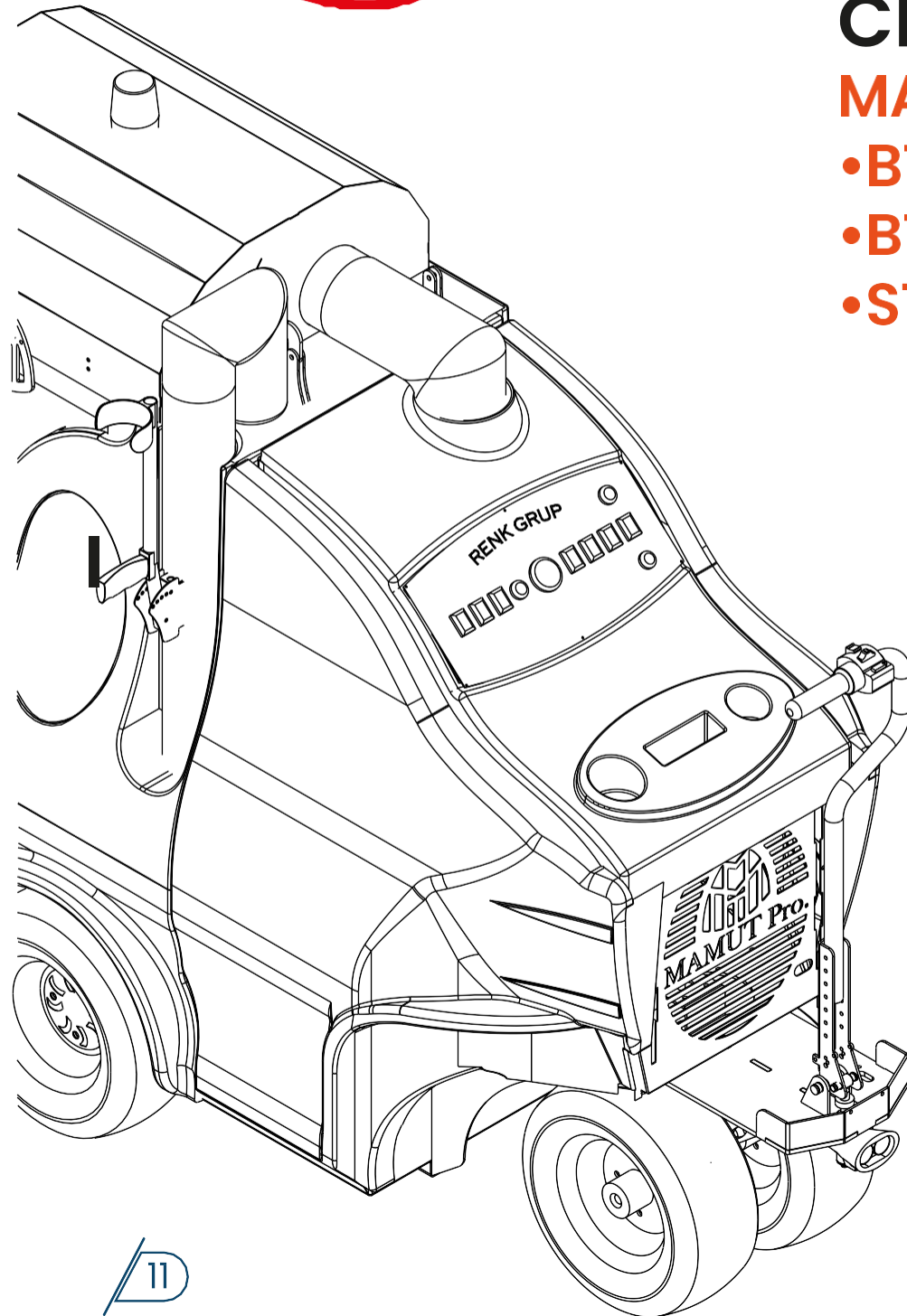




IT GOES TO THE
FOR TO-ADDRESS
STREETS SWEEPING
CLEAN FEET!

MAMUT!

- BT-24V/PRO
- BT-48V/ Electrically
- ST/ Petro Electrically



High Maneuver, Low Operating Noise.

1-Battery-Powered, Hand-Operated Suction Sweeper Machine MAMUT PRO BT 24V

Hand-operated, 24V Battery-powered Vacuum Sweeper sucks in leaves, paper, glasses, plastic bottles, cola cans, kernels, paper, etc.. In streets, roads, and large squares and hoards them in its trash tank, moving back and forth with the control handle. The battery-powered sidewalk sweeper, operated by municipalities, puts modern cleaning at the center.

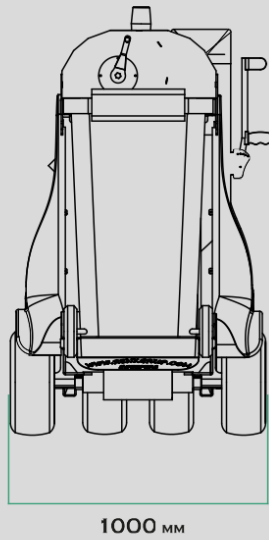
Thanks to its durable filter that is capable of cleaning itself with a specially designed crank that allows cleaning of filters without taking them out of their housing, a trademark feature of the MAMUT PRO, users can transfer garbage into the trash tank without dust polluting the environment.

- 2 years of mechanical warranty and 1-year battery warranty
- 10 Years of Spare-Part Availability Warranty
- Self-cleaning filters thanks to a specially designed crank.
- 1.2 Kw fan engine, specially designed powerful fan system.
- Electric differential powered by a 1.0 Kw Servo engine.
- Magnetic braking system.
- Quick-reaction 3-tuning (Eco-Comfort-Sport) suction system.

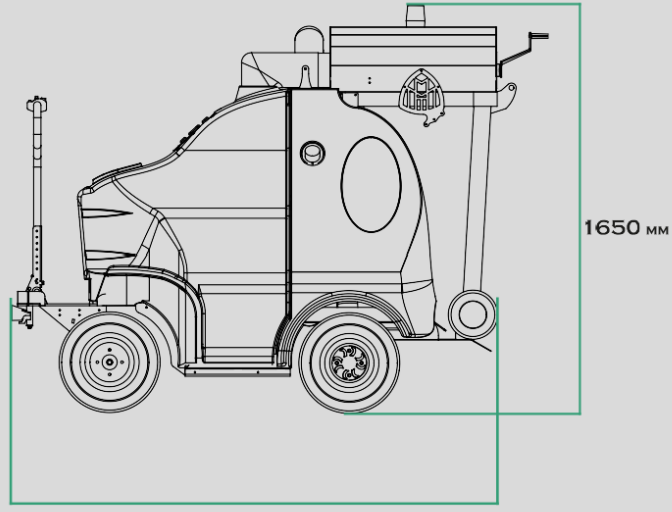
**Environmentally Friendly
Cylinder Filter
Large-Size Frame and
Waterproof Polyester Filter**



**Maximum Performance
when Fully Charged 6-9
Hours Running Time**



1000 mm



1970 mm

MAMUT PRO BT 24V ELECTRICALLY

Technical Features

Power Source	24V Electrically-Powered
Engine Power (Fan and Pace)	1200 / 1000 W
Filter Cleaning	Manual Crank
Battery Capacity	24 Volt (4 x 6 Volt)
Running Time	>6-9 Saat
Filter	Cylinder/Polyester
Filtering Surface	3m ²
Suction Power	4560 m ³ / Saat
Suction Hose	Polycarbonfiber White
Trash Tank Capacity	240 L
Water Tank Capacity	30 L
Suction Hose Length	3000 mm
Suction Hose Diameter	120 mm Ø
Weight (With Battery)	420 Kg
Weight (Without Battery)	310 Kg
Machine Dimensions (W x L x H)	1000 x 1970 x 1650 mm
Exterior Design	ABS Plastic



- Bag mechanism that can be fitted with a medium-sized garbage bag, adapted for a 240-liter waste garbage bin.



- Suction redirector with a shock absorber, specially designed to prevent clogging of the vacuum hose that detects the user's movements.



- Enables users to use the button panels on the
- 3 tuning (**Eco - Comfort - Sport**) suction system.



- Fitted with a patented filter system. Fitted with a proprietary, hand-operated crank, dust accumulating inside the filters gets cleaned and the filters require no disassembly. It is also a budget-friendly option with considerable savings of fuel and cleaning materials.

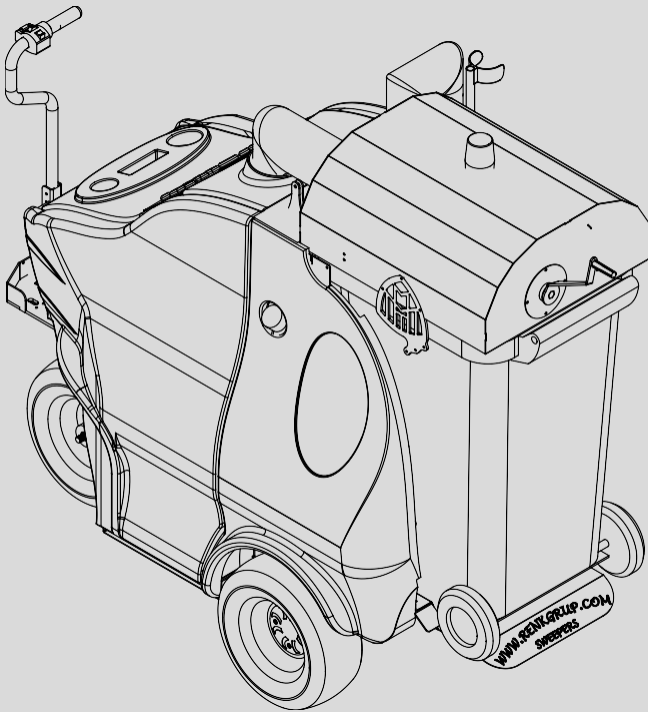
TECHNICAL FEATURES

MAMUT PRO BT 48V ELECTRICALLY

Power Source	48V Electrically-Powered
Engine Power (Fan and Pace)	1200 / 1000 W
Filter Cleaning	Manual Crank
Battery Capacity	48 Volt (4 x 12 Volt)
Running Time	>9-11 Hour
Filter	Cylinder/Polyester
Filtering Surface	3m ²
Suction Power	>4560 m ³ / Saat
Suction Hose	Polycarbonfiber White
Trash Tank Capacity	240 L
Water Tank Capacity	30 L
Suction Hose Length	3000 mm
Suction Hose Diameter	120 mm Ø
Weight (With Battery)	440 Kg
Weight (Without Battery)	310 Kg
Machine Dimensions (W x L x H)	1000 x 1970 x 1650 mm
Exterior Design	ABS Plastic

2-Electrically-Powered, Hand-Operated Leave-Collecting Vehicle MAMUT PRO BT 48V

48 Volt Mamut Pro, a professional hand-controlled leaf and garbage sweeper, features a modern and sleek design that makes it perfect for use in municipal services and housing complexes. Impressing users with its brand-new design and look, this excellent piece of machinery, manufactured by Turkish engineers, measures up to EU standards lapping up great acclaim across the globe with its superior cleaning skills.



Designed for professionals, Mamut Pro features 48-volt engine power, maintenance-free gel battery technology, and a 114 amp battery capacity.

Mamut Pro outshines its competitors with its large capacity and wide diameter on the front wheels, moving safely over surfaces and preventing the sweeper from rolling on its side when descending from sidewalks. High maneuverability on uneven terrain.

The newly-designed Mamut Pro is an optional addition to customers' fleet of cleaning machines. Its high-tech electric vacuum nozzle device, its mechanism that can be easily disassembled and folded, and its vacuum-function operable with a hose were developed to provide a great convenience for users.

TECHNICAL FEATURES

MAMUT PRO ST PETROL

Power Source	Petrol
Engine	Vanguard (Made in USA)
Engine Power	6.5 HP/4.80 KW
Cylinder Displacement cm ³	203 cm ³
Petrol Tank Capacity	3 LT
Running Time	∞
Filter	Polyester Cylinder
Filter Cleaning	Manual Crank
Filtering Surface	3m ²
Suction Power	>4885 m ³ / Hour
Suction Hose	Polycarbonfiber White
Trash Tank Capacity	240 L
Water Tank Capacity	30 L
Suction Hose Length	3000 mm
Suction Hose Diameter	120 mm Ø
Weight	350 Kg
Machine Dimensions (W x L x H)	1000 x 1970 x 1650 mm
Exterior Design	ABS Plastic



3-Petrol-Powered, Hand-Operated Suction Sweeper MAMUT PRO ST

Impressing users with its brand-new design and look, this excellent piece of machinery, manufactured by Turkish engineers, measures up to the highest standards with its customer-oriented design, lapping up great acclaim across the globe with its superior cleaning skills. Mamut Pro outshines its competitors with its large capacity and wide diameter on the front wheels, moving safely over surfaces and preventing the sweeper rolling on its side when descending from sidewalks. High maneuverability on uneven terrain. Front wheels, which are the same size as the rear wheels, consist of 16x6.50-8 inch wheels.

Eco-Friendly Mamut Pro Suction Sweeper

- 2 years of mechanical and 3 years of engine warranty
- 10 Years of Spare-Part Availability Warranty
- Self-Cleaning Filter with a Manual Crank
- Eco-friendly cleaning of the filters that need no disassembly
- Can make a full circle, ease of driving with the left/right hand with its handle for remote control
- Environmentally friendly filtering system, large size frame, water-resistant polyester filter
- The most popular sweeper with its silent operation mode
- In-laid mechanism for spraying water into the container against dusting (30 lt)
- Continuously active pulley motor fan, specially designed powerful fan system
- Vanguard (Made in USA) / Honda GX390 Petrol-Powered engine
- Differential system with hydrostatic drive
- 240-liter plastic container garbage tank
- 3 lt stainless fuel tank



ELECTRICALLY POWERED OR ○



PETROL-POWERED



RENK GRUP

SWEEP THE WORLD



RENK GRUP MAKİNE A.Ş.

🏠 Oruçreis mah. Tekstil Kent A7 blok
No:44, 34235 Esenler - İstanbul/TÜRKİYE

✉ info@renkgrup.com.tr

☎ (0212) 564 66 66

🌐 www.renkgrup.com.tr
www.renkgrup.com

