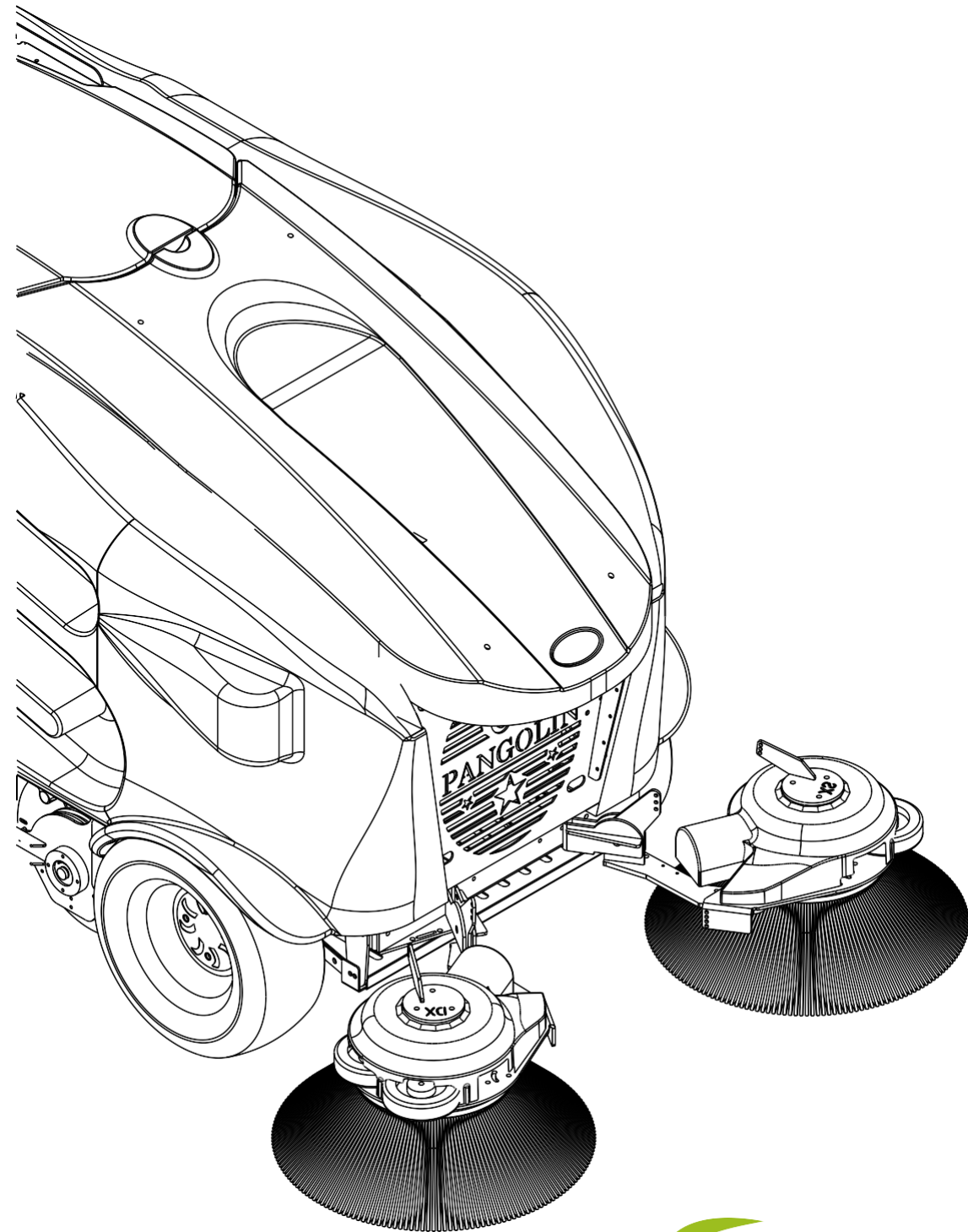


RENK GRUP

SWEEP THE WORLD



RENK GRUP

SWEEP THE WORLD





We Are Here For You!

Founded in 2006 in pursuit of responsible entrepreneurship, innovation, and pioneering discoveries, RENK GROUP, a company committed to continuous improvement, provides cost-effective services for people's needs and improves the quality of their lives. Starting its operations as a supplier for municipalities and public organizations, it soon grew into a corporate group by expanding its services to the import and export of cleaning machinery.

In recent years, RENK GROUP has carried out a range of eco-friendly projects with waste oil, plastic bottles, and book/toy collection units developing concepts/ ideas and converting them into concrete initiatives, from street furniture to social responsibility projects. With its streak of rapid growth turning into sure-footed stability over time, RENK GROUP has become one of the most respected and reliable companies for electrically-powered street/floor cleaning machines.

With its ever-growing capital, it contributes to mechanization, which in turn contributes to the country's economy.

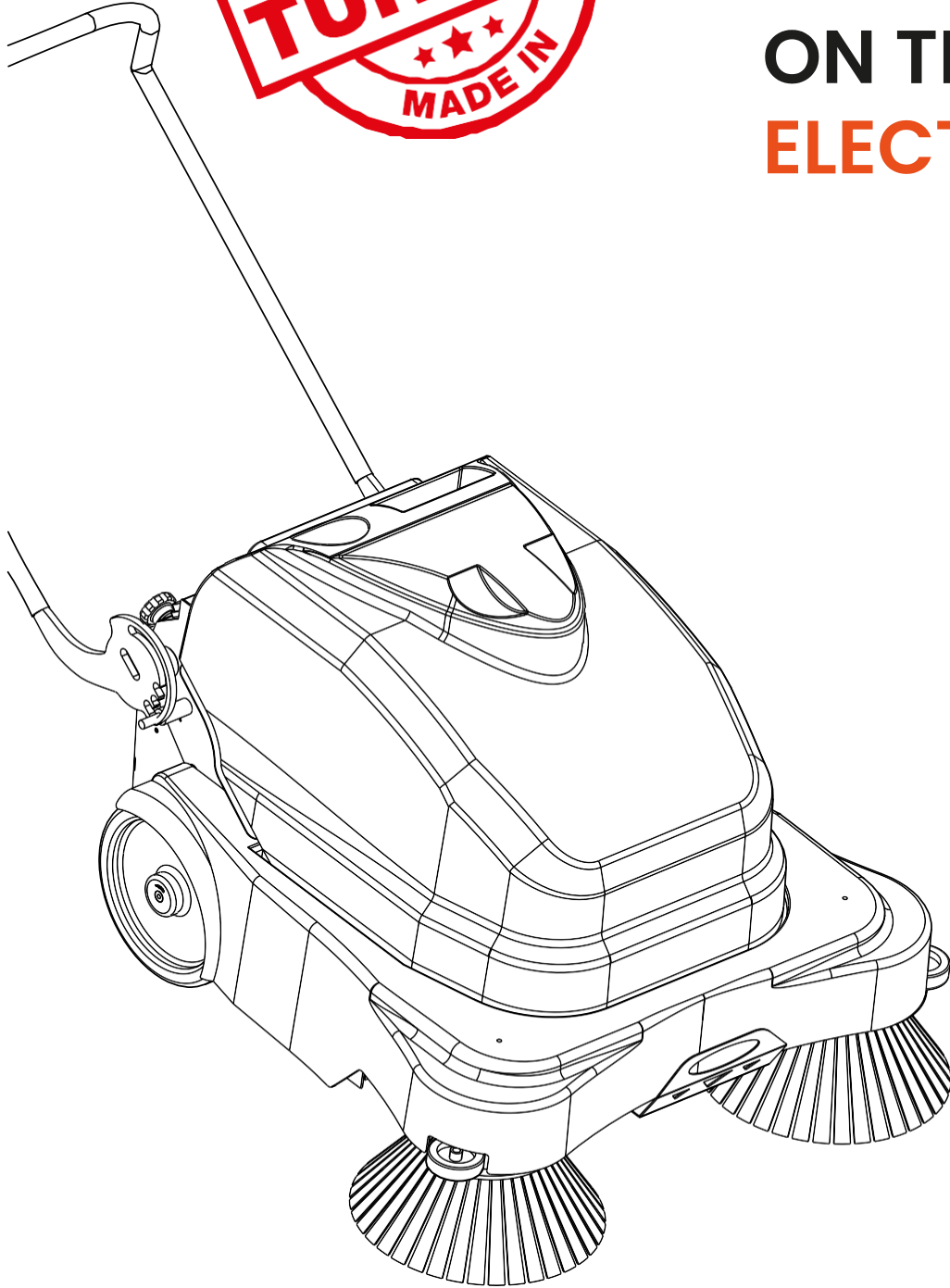
Having signed for EU and domestic markets a distribution agreement with MINGNUO Holding, a formidable brand of the machinery industry in the Chinese market, the center of international trade, RENK GROUP is well on its way to becoming a global company. RENK GROUP pursues a growth strategy that puts a skilled workforce at the center for a more robust corporate governance exploiting the opportunities offered by modern management approaches to contribute to the country's economy.

RENK GROUP continues to work towards its goals with its internationally proven pool of machinery, successful project management produced by the teamwork of its highly competent staff, reliable and high-quality machinery, on-time and cost-effective delivery mechanisms, and its use of high-tech tools from quoting to the supply of spare parts.





**MIND-BLOWING
PERFORMANCE
ON THE FIELD!**
ELECTRO GIRGIR RGE



ELECTRO GIRGIR

ELECTRO GIRGIR RGE Sweeper:

A hand-operated, easy-to-use, mini sweeper with a brush. Suitable for use in streets, pavements, open areas, parking garages, shopping malls, hospitals, residential areas, housing complexes, parks, and gardens.

Works quietly, causes no disturbing noises. 2 years of mechanical warranty and 1 year battery warranty. All maintenance, repair, storage, and spare parts services of vehicles are provided by RENK GROUP.

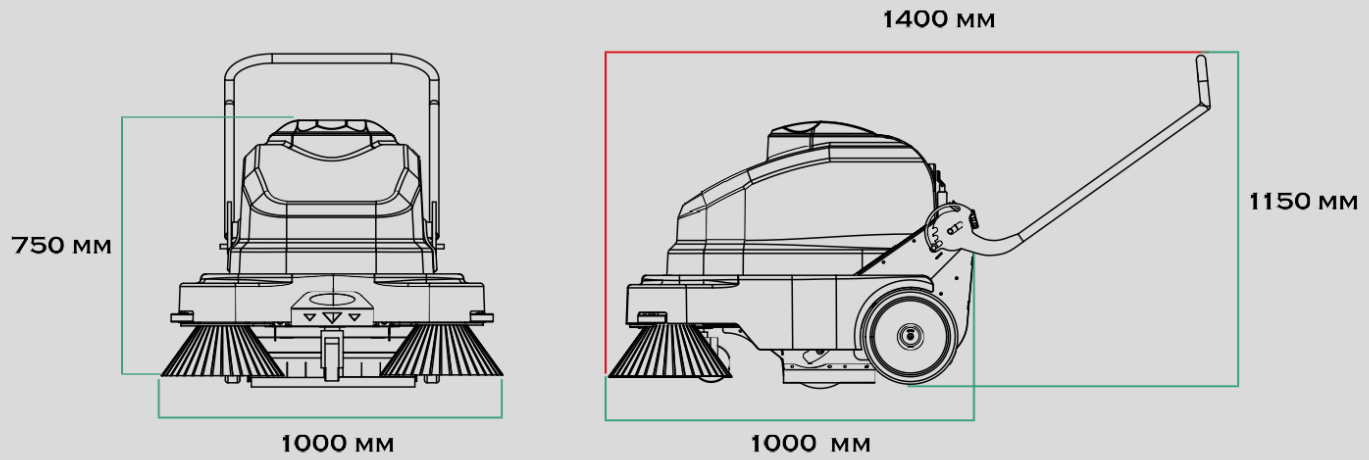
THIS MACHINE WAS PATENTED BY THE TURKISH PATENT INDUSTRY ON BEHALF OF RENK GROUP. UTILITY MODEL: 2014/05013

Yeni tasarım ürünümüz akülü elle kumandalı "Elektro Girgır Süpürge Aracı" profesyonel ve özel tasarımıyla tamamen yerli, patentli olmakla beraber Renk Grup Makine A.Ş. mühendislerimiz tarafından geliştirilmiştir.

Dış kaportayı ABS plastikten üreterek Uv ışınlarına karşı güçlü bir tasarımla sizlere sunmaktayız. Bu özelliği sayesinde boya gerektirmeyen parlak bir yüzeye sahiptir. Böylelikle kolay temizleme olanağı sağlar. Üretim aşamasında kullandığımız koruyucu jelatin kaplaması ile beraber müşterilerimize teslimat sağlamaktayız.



Comes in two colors.



TECHNICAL FEATURES

ELECTRO SWEEPER ELECTRICALLY

Efficiency	4000 m / h
Sweeping Width	900 mm
Front Round Brush Length	40 cm x 2
Main Cylinder Brush Length	44 cm x 1
Mode of Operation	100% Electrically Powered
Power Source	12 V
Garbage Capacity	22 Litres
Running Time	5-6 Hours Non-Stop
Filter Area	1.5 m ²
Water Capacity	15 Litres
Water Pump	12 V
Main Brush Engine	120 W x 1
Front Round Brush Engine	35 W x 2
Net Weight	90 Kg
Filter Area Cleaning	Filter Dust Transferrable into the Garbage Tank
Exterior Design	ABS Plastic



•Our newly-designed Electro Girgir, Type RGE, is fitted with an auxiliary wheel, giving it a more robust frame to offer protection against abrasions during sweeping of sidewalks and edges of the walls.



•Electro Girgir, Type RGE, designed as a high-performance piece of machinery, can sweep its way through piles of garbage with its movable brush nozzle / flap mechanism.



•Offers users a convenient cleaning experience with its easy-to-use control panel. Fitted with a 15 lt water tank, it packs a performance punch sweeping all kinds of surfaces.



•Electro Girgir, Type RGE, has a folding arm that makes it easy to carry around. (94 Kg)
•With a sweeping width of 1 meter, it can clean 4,000 m² of floor per hour.





RENK GRUP

SWEEP THE WORLD



RENK GRUP MAKİNE A.Ş.

🏠 Oruçreis mah. Tekstil Kent A7 blok
No:44, 34235 Esenler - İstanbul/TÜRKİYE

✉ info@renkgrup.com.tr

☎ (0212) 564 66 66

🌐 www.renkgrup.com.tr
www.renkgrup.com

