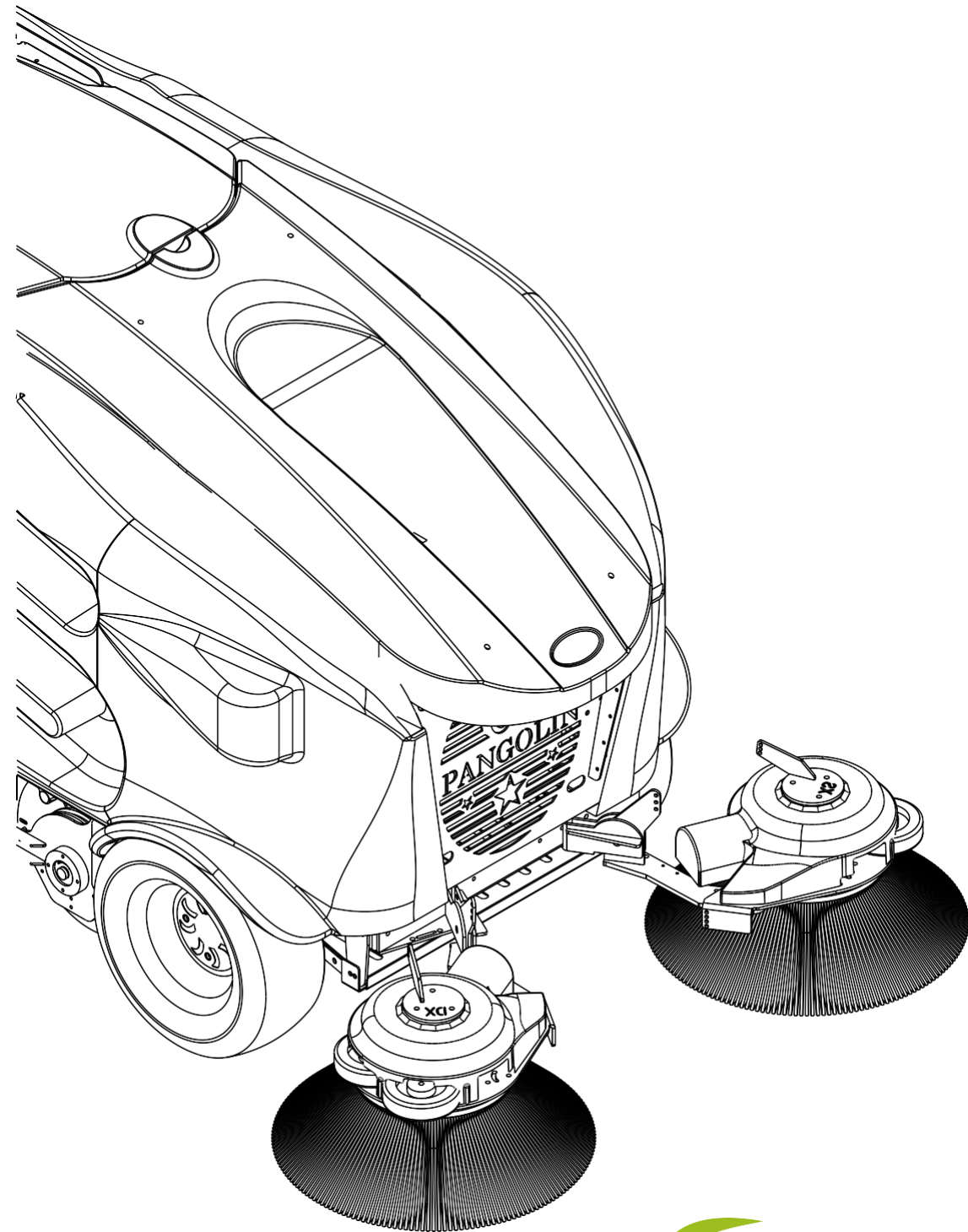


# RENK GRUP

SWEEP THE WORLD



# RENK GRUP

SWEEP THE WORLD





## **We Are Here For You!**

Founded in 2006 in pursuit of responsible entrepreneurship, innovation, and pioneering discoveries, RENK GROUP, a company committed to continuous improvement, provides cost-effective services for people's needs and improves the quality of their lives. Starting its operations as a supplier for municipalities and public organizations, it soon grew into a corporate group by expanding its services to the import and export of cleaning machinery.

In recent years, RENK GROUP has carried out a range of eco-friendly projects with waste oil, plastic bottles, and book/toy collection units developing concepts/ ideas and converting them into concrete initiatives, from street furniture to social responsibility projects. With its streak of rapid growth turning into sure-footed stability over time, RENK GROUP has become one of the most respected and reliable companies for electrically-powered street/floor cleaning machines.

With its ever-growing capital, it contributes to mechanization, which in turn contributes to the country's economy.

Having signed for EU and domestic markets a distribution agreement with MINGNUO Holding, a formidable brand of the machinery industry in the Chinese market, the center of international trade, RENK GROUP is well on its way to becoming a global company. RENK GROUP pursues a growth strategy that puts a skilled workforce at the center for a more robust corporate governance exploiting the opportunities offered by modern management approaches to contribute to the country's economy.

RENK GROUP continues to work towards its goals with its internationally proven pool of machinery, successful project management produced by the teamwork of its highly competent staff, reliable and high-quality machinery, on-time and cost-effective delivery mechanisms, and its use of high-tech tools from quoting to the supply of spare parts.



**FITTED WITH A  
HIGH-TECH CLEANING  
SWEPER TAXI  
Led Display**



## Sweeper Taxi Renk Grup



Highly popular with customers, the new generation sweeping machine, partially manufactured by Renk Grup Makine A.Ş., is perfect for sweeping pavements, streets, avenues, and squares. Popular with municipalities and factories, it is a much sought-after, high-performance road sweeper featuring the latest technology.

- 100% Electrically powered sweeper
- Fully Charged Energy 8 - 10 Hours of maximum performance
- 48 Volts 150 Amper
- Designed for outdoor use with its windshield and wiper
- Features a 180 lt garbage tank
- Fully Charged Energy allows for 8 - 10 Hours of maximum performance
- 48 Volts 150 Amper

# TECHNICAL FEATURES

## SWEEPER TAXI ELECTRICALLY

Battery Capacity	48 Volt Battery
Climbing Slope	%20
Sweeping Capacity (Efficiency)	12000 m2 / Hour
Sweeping Width	1850 mm
Roller Brush Length	800 mm
Front-Side Brush Diameter (4 Pieces)	500 mm
Engine Power	3 Kw (Electrically-Powered Engine)
Trash Tank Capacity	180 Liters
Water Capacity	30 Liters
Operating Power (Main Brush + Fan + Side Brush + Filter)	800 + 500 + 80x4 + 50 W
Sweeping Speed	7 Km / Hour
Max Speed	9,8 Km/ Hour
Running Time	6-8 Hour
Vehicle Weight	800 Kg
Filtering Area	5 mt2
Filter Cleaning	Vibratory Cleaning
Dimensions (L/W/H)	2150 x 1850 x 2040 mm
Sweeping System	Lifting With Brush and Wind Force
Led Screen	Optional
Led Screen Size	40 Inches
Led Display Data Upload	Usb Memory and Ethernet Socket
Rear Led Display	Outdoor Led Display Video Player P5 Outdoor
Led Display Programming	Timed Day and Night Data Programming
Turning Radius	1200 mm
Charger	48 Volt
Exterior Accessories	Illuminated Taxi Sign, Signaling Warning Light, Rear View

- With its new generation, energy-saving Servo 3 KW motor, it offers 8 hours of non-stop performance.
- No filters get clogged during sweeping thanks to its electrically-powered self-cleaning filters.
- 2-speed transmission option, forward and reverse driving, 20% uphill climbing, can be restarted on an uphill slope.
- With its 3-wheel design, it provides 360-degree maneuverability offering ease of use in narrow spaces.
- Impresses with its 70 dB noise level, 100% electrically powered engine, zero-emission, and silent operation.
- Has 30 liters of spray water capacity.
- All maintenance, repair, storage, and spare parts services of the sweeper are provided by RENK GROUP.



Featuring an outdoor LED display video player / P5 outdoor video screen, it offers the opportunity to broadcast all kinds of videos, images, and slogans giving municipalities more visibility with their cleaning services.

The outdoor video screen can be used to display congratulatory messages on public holidays, religious holidays, tax payment reminders, the Mayor's slogans, or the municipality's social media accounts.

- IN OUR CAPACITY AS THE DISTRIBUTOR, WE OFFER 2 YEAR MECHANICAL AND 1 YEAR BATTERY WARRANTY FOR OUR PRODUCTS.

# RENK GRUP

SWEEP THE WORLD





# RENK GRUP MAKİNE A.Ş.

🏠 Oruçreis mah. Tekstil Kent A7 blok  
No:44, 34235 Esenler - İstanbul/TÜRKİYE

✉ info@renkgrup.com.tr

☎ (0212) 564 66 66

🌐 www.renkgrup.com.tr  
www.renkgrup.com

