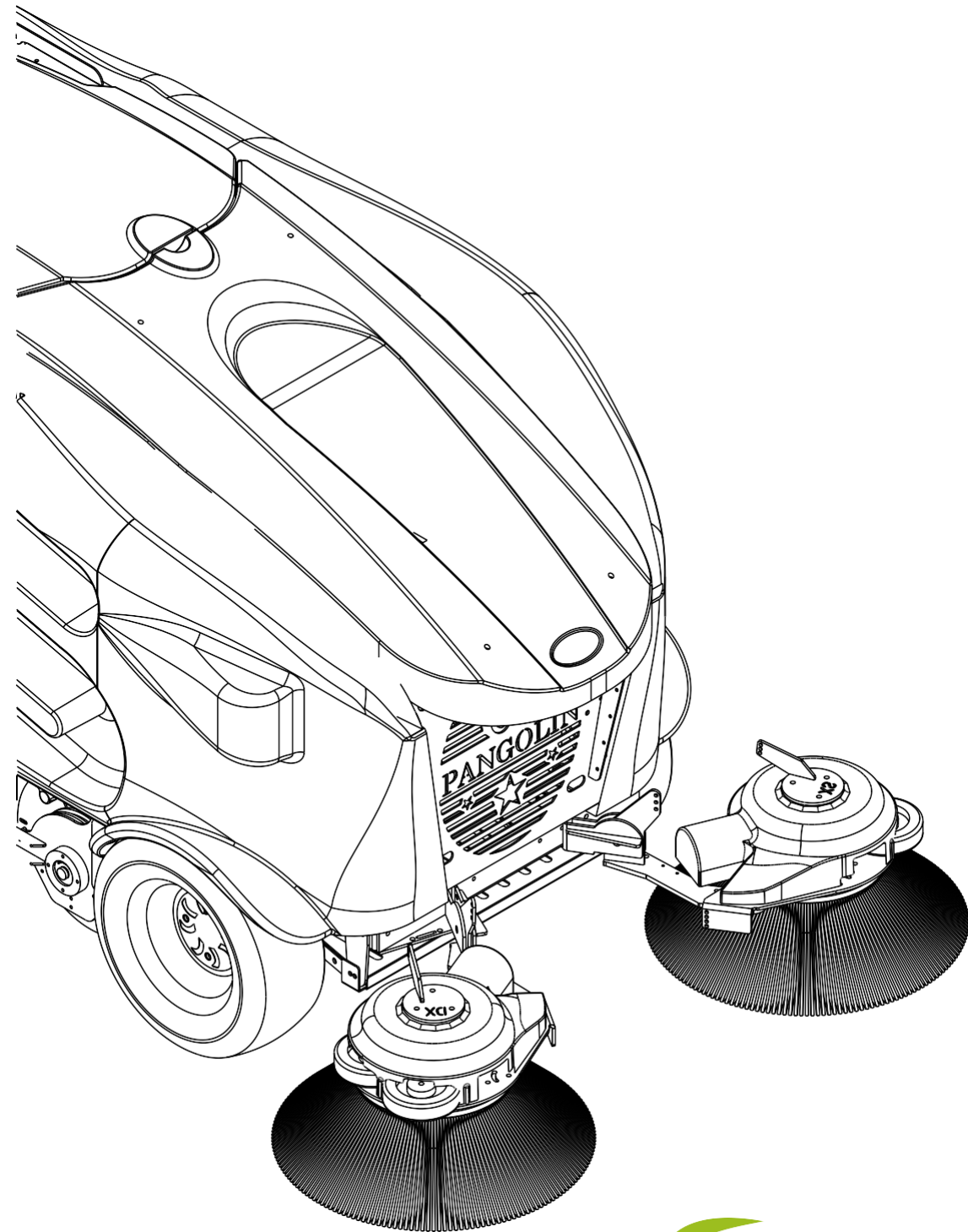


RENK GRUP

SWEEP THE WORLD



RENK GRUP

SWEEP THE WORLD





We Are Here For You!

Founded in 2006 in pursuit of responsible entrepreneurship, innovation, and pioneering discoveries, RENK GROUP, a company committed to continuous improvement, provides cost-effective services for people's needs and improves the quality of their lives. Starting its operations as a supplier for municipalities and public organizations, it soon grew into a corporate group by expanding its services to the import and export of cleaning machinery.

In recent years, RENK GROUP has carried out a range of eco-friendly projects with waste oil, plastic bottles, and book/toy collection units developing concepts/ ideas and converting them into concrete initiatives, from street furniture to social responsibility projects. With its streak of rapid growth turning into sure-footed stability over time, RENK GROUP has become one of the most respected and reliable companies for electrically-powered street/floor cleaning machines.

With its ever-growing capital, it contributes to mechanization, which in turn contributes to the country's economy.

Having signed for EU and domestic markets a distribution agreement with MINGNUO Holding, a formidable brand of the machinery industry in the Chinese market, the center of international trade, RENK GROUP is well on its way to becoming a global company. RENK GROUP pursues a growth strategy that puts a skilled workforce at the center for a more robust corporate governance exploiting the opportunities offered by modern management approaches to contribute to the country's economy.

RENK GROUP continues to work towards its goals with its internationally proven pool of machinery, successful project management produced by the teamwork of its highly competent staff, reliable and high-quality machinery, on-time and cost-effective delivery mechanisms, and its use of high-tech tools from quoting to the supply of spare parts.





We listen to you first, all ears, and once we identify your requirements, we offer you the most suitable solution for keeping your streets/floors clean at an affordable price. We are aware that your time is precious. We always start work right on time and keep the necessary work equipment at our disposal to avoid potential loss of time. We are always customer-friendly, regardless of whether we are dealing with a small or large customer order. We take ownership of our work, answer your after-sales questions, never leave you in the lurch in case of emergencies, all part of our commitment to making our customers happy. We know that business is not just about profits; real success lies in creating a trail of happy customers who can recommend us to others.

CONTENTS

PANGOLIN 300
•BT-24V/ ELECTRICALLY 03

PANGOLIN 300
•ST/ GASOLINE 07

MAMUT PRO
•BT-24V/ ELECTRICALLY 11

MAMUT PRO
•BT-48V/ ELECTRICALLY 15

MAMUT PRO
•ST/ GASOLINE 17

ELECTRO GIRGIR
•12V/ ELECTRICALLY 21

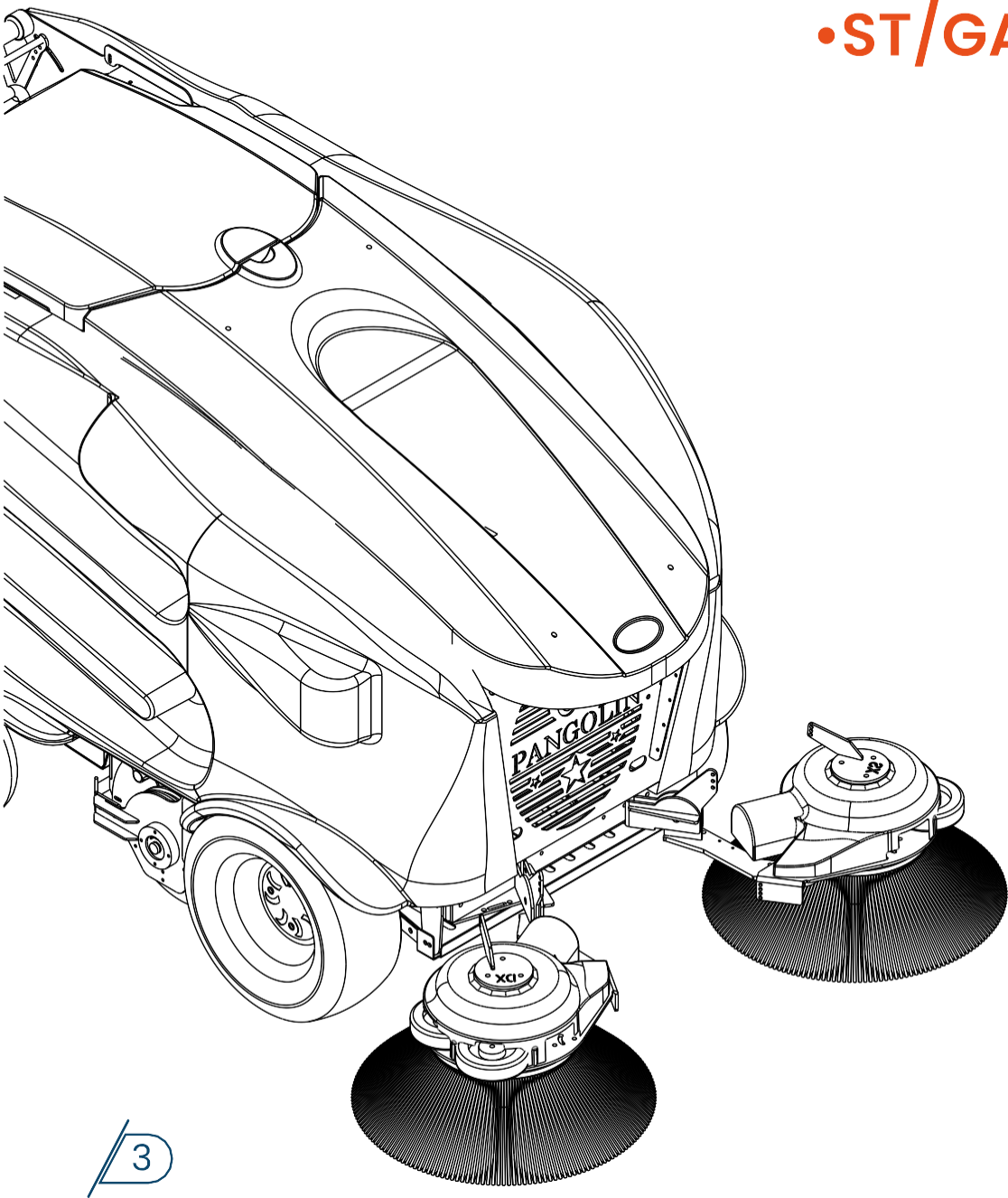
SWEPER TAXI
•48V/ ELECTRICALLY 27



**WE OFFER
YOU
A CLEAN WORLD!**

PANGOLIN 300

- BT-24V/ ELECTRICALLY
- ST/GASOLINE



Pangolin 300 BT

Electrically Powered Mini Vacuum Square Sweeper
Renk Group Pangolin 300 BT Pangolin BT

Pangolin 300 BT Mini vacuum sidewalk sweeper can sweep over long distances thanks to its mobile driver's seat. With its easily removable seat, it easily finds its way in and around benches and brushes paper, coke cans, pet bottles, sunflower seeds, and cigarette butts with its ELECTRICALLY-POWERED OLEODYNAMIC drive and hoards them inside its trash tank.

Pangolin 300 BT collects dust and general waste in its tank with its brush system. Super quiet to operate, it is the perfect tool for cleaning public and private spaces, including squares and sidewalks. Thanks to its steerable hose, Pangolin 300 BT allows waste collection in narrow and small areas where normal vehicles cannot operate. The operator seat allows the operator to go to the target area in a sitting posture while the machine continues to perform its cleaning duties.

Pangolin 300 BT's bodywork is made from automotive materials allowing long years of service.

Its bodywork is made from ABS plastic, meaning Pangolin BT 300 offers protection from UV rays, features a glossy surface requiring no extra paint-job, and has a protective gelatin-coating used during production.

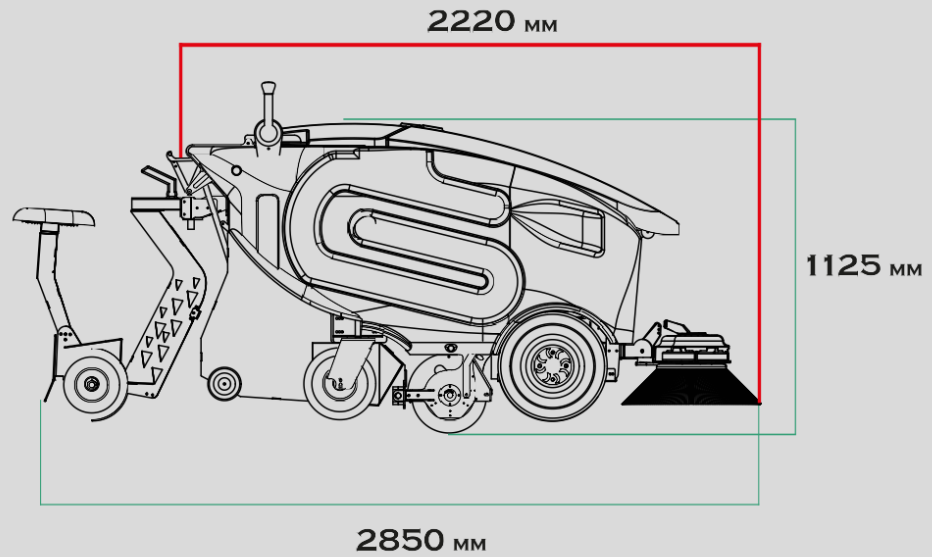
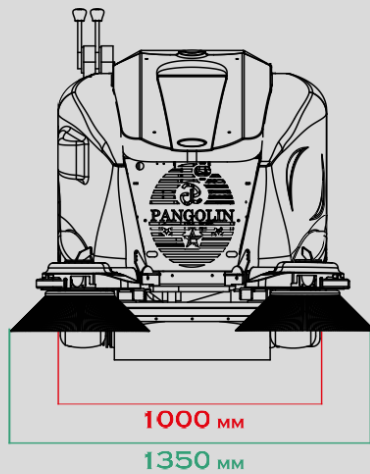
It can gradually augment its fan power with its reinforced suction technology while its powerful suction gives the roller brush an extra punch allowing users to make a clean sweep in just a moment.

It enables considerable savings of cleaning materials and fuel thanks to its fast-response suction performance.

**% 100 Electrically Powered
Quiet Operation
Efficient Cleaning**



**Operable for up to 6-8 Hours
With its High-Amperage
Battery**



PANGOLIN 300 BT 24V ELECTRICALLY

Technical Features

Power Source	24 Volt Battery
Engine	1200/1000 W
Front side brush engine power	80 W (each)
Battery Capacity	330 Ah (C20) Acid
Running Time with Full Battery	>6 - 8 Hours
Filter Code / Material	4 m2 Polyester
Suction power	2375 m ³ / hours
Front Brush Type	Plastic
Center Brush Type	Plastic
Trash Tank Capacity	220 Liters
Water Tank Capacity	30 Liters
Suction Hose Length	3000 mm
Suction Hose Diameter	108 mm Ø
Weight (With Battery)	580 Kg
Weight (Without Battery)	394 Kg
Seating Bench Weight	34 Kg
Machine Dimensions (W x L x H)	1000 x 2220 x 1125 mm
Exterior Design	ABS Plastic
Mobile (Driver) Seat	Yes

ELECTRICALLY POWERED OR



- Pangolin 300 BT sweeper has a garbage capacity of 220 liters. Its 30 lt water capacity enables the sweeping of surfaces without creating dust.
- The battery-powered sweeper provides 6-8 hours of operation thanks to its high-amperage battery. Thanks to its external hose, the mini sidewalk vacuum sweeper sucks garbage that cannot be picked by brushes.
- The mini battery-powered sweeper offers efficient work with its 100% electric version and silent operation.
- Pangolin 300 BT Mini Sweeper has a sweeping capacity of 7500 m² per hour thanks to its sweeping width of 135 cm.
- With its double-wheeled seat and stand-up saddle, it can quickly sweep long distances.

Pangolin 300 ST

Petrol-Powered Mini Vacuum Square Sweeper Renk Group Pangolin 300 ST Pangolin ST

With its wide grip on the front wheels, it offers comfortable operation in rough terrain. The rear wheels are made of special rubber material providing durability against explosions and abrasion.

- Thanks to its external hose, the Mini Sidewalk Vacuum Sweeper sucks garbage that cannot be picked by brushes
- It is a 100% Turkish mini vacuum sweeper.
- Thanks to its petrol-powered engine Vanguard (Made in USA), it ensures low fuel consumption. With its 6.5 hp (4.80 kW) engine, it is a highly efficient sweeper.
- Pangolin 300 ST Mini Sweeper has a sweeping capacity of 7500 m² per hour thanks to its sweeping width of 135 cm.

PANGOLIN 300 ST PETROL

Technical Features

Power Source	Petrol
Engine	Vanguard (Made in USA)
Engine Power (Suction and Driving)	6.5 HP/4.80 KW
Cylinder Displacement cm ³	203 cm ³
Front side brush engine power	80 W (each)
Petrol Tank Capacity	3 Liters
Running Time with Full Battery	∞
Filter Type / Material	4 m ² Polyester
Suction power	2630 m ³ / hours
Front Brush Type	Plastic
Center Brush Type	Plastic
Trash Tank Capacity	220 Liters
Water Tank Capacity	30 Liters
Suction Hose Length	3000 mm
Suction Hose Diameter	108 mm Ø
Weight (With Battery)	394 Kg
Weight (With Battery)	394 Kg
Machine Dimensions (W x L x H)	1000 x 2220 x 1125 mm
Exterior Design	ABS Plastic
Mobile (Driver) Seat	Yes



Extra Engine High Performance

Pangolin 300 ST Petrol

With its 6.5 HP Vanguard engine (Made in USA), Pangolin 300 ST offers a smooth and pleasant ride, leaving its competitors behind with its superior performance. Its mobile operator seat was designed to offer maximum comfort for the driver. It provides ease of use thanks to its ability to cover long distances and its nimbleness in narrow spaces. Also, it can sweep across surfaces at one go with a sweeping width adapted to bicycle paths.

- Pangolin 300 ST Sweeper has a 220-liter garbage capacity.
- Pangolin 300 ST Mini Petrol Sweeper has a 2-year mechanical and 3-year engine warranty.
- Pangolin 300 ST Mini Sidewalk Sweeper enables the sweeping of surfaces without creating dust with its 30-liter water capacity.
- It has a water-resistant 4 square meters polyester cassette filter.
- Thanks to its external hose, the mini sidewalk vacuum sweeper sucks garbage that cannot be picked by brushes.



ELECTRICALLY POWERED OR





PETROL-POWERED



RENK GRUP

SWEEP THE WORLD



RENK GRUP MAKİNE A.Ş.

🏠 Oruçreis mah. Tekstil Kent A7 blok
No:44, 34235 Esenler - İstanbul/TÜRKİYE

✉ info@renkgrup.com.tr

☎ (0212) 564 66 66

🌐 www.renkgrup.com.tr
www.renkgrup.com

